



Bypass Valve for Water Treatment Systems

41102 (Old Model No.: F70B)
41104 (Old Model No.: F70A)
41202 (Old Model No.: F70D)
41204 (Old Model No.: F70C)

Instruction Manual

Please read this manual in details before using the valve and keep it properly in order to consult in the future.

0WRX.466.517

Catalogue

Notice

1. Product Overview.....

1.1. Main Application & Applicability

1.2. Product Characteristics

1.3. Product Structure and Technical Parameters.....

1.4. Installation

2. Application

2.1. Usage

2.2. Spare Part and Part No

3. Warranty Card.....

Notice

- To ensure normal operation of the valve, please consult with professional installation or repairing personnel before use it.
- If there are any of pipeline engineering and electric works, there must be finished by professional at the time of installation.
- Avoid to use valve body or other connectors as support to carry the system.
- Please use this product under the water temperature between 5~50°C, water pressure 0.15~0.6MPa. Failure to use this product under such conditions voids the warranty.
- If the water pressure exceeds 0.6Mpa, a pressure reducing valve must be installed before the water inlet.
- It is suggested to install PPR pipe, corrugated pipe or UPVC pipe, instead of TTLSG pipe.

1. Product Overview

1.1 Main Application & Applicability

Bypass is mainly used for controlling inlet water bypassing in water treatment systems.

Be suitable for the valves of F63,F65,F68,F69,F79,F82 and so on.

When the water softener system needs to be repaired, you can use the bypass function to supplement untreated raw water to the outlet.

For residential softener system, too softened water is not suitable for drinking. In order to improve the hardness of the water, use of the bypass valve, and let part of the raw water direct outflow from the outlet, and mixed with softened water.

1.2.Product Characteristics

➤ **Simple structure and reliable sealing**

It adopts hermetic head faces with high degree pottery and corrosion resistance for opening and closing. It combines with service, close, bypass and part bypass.

➤ **Easy operation**

Can rotate or pull the handle to achieve bypass, part bypass and softening service function.

➤ **Can internal install flow meter**

F70A/F70B/F70C bypass valve can internal install flow meter, and assembled into meter type control valve which with bypass valve.

➤ **Variety of connections**

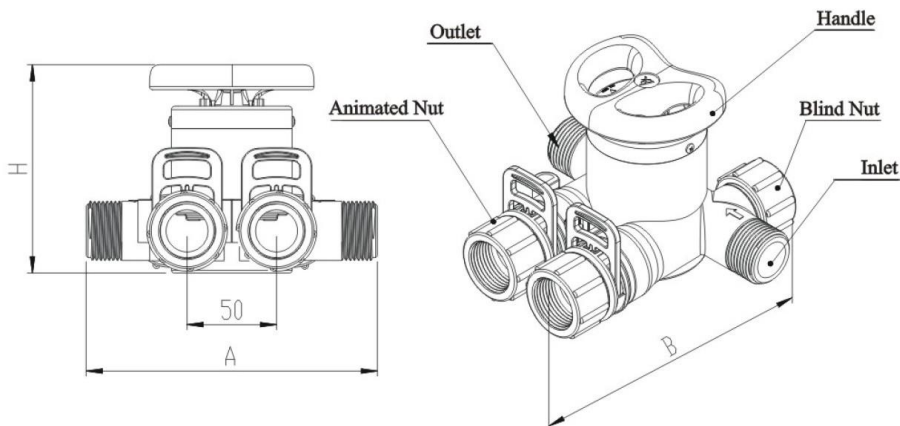
F70A, there are two mutually perpendicular inlets, outlets, based on the need of the inlet and outlet pipeline to connect.

F70C/F70D, there are two kinds of screw threads which are BSPP and NPT for option.

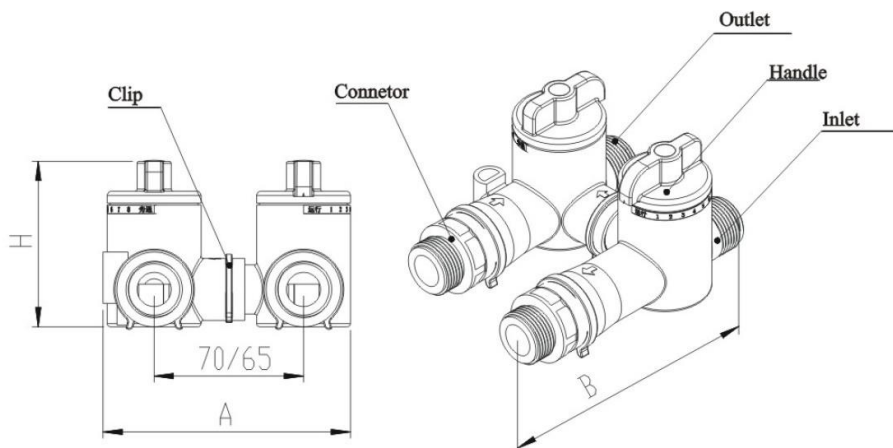
1.3. Product Structure and Technical Parameters

A. Product dimensions (The appearance is just for reference. It is subject to the real product)

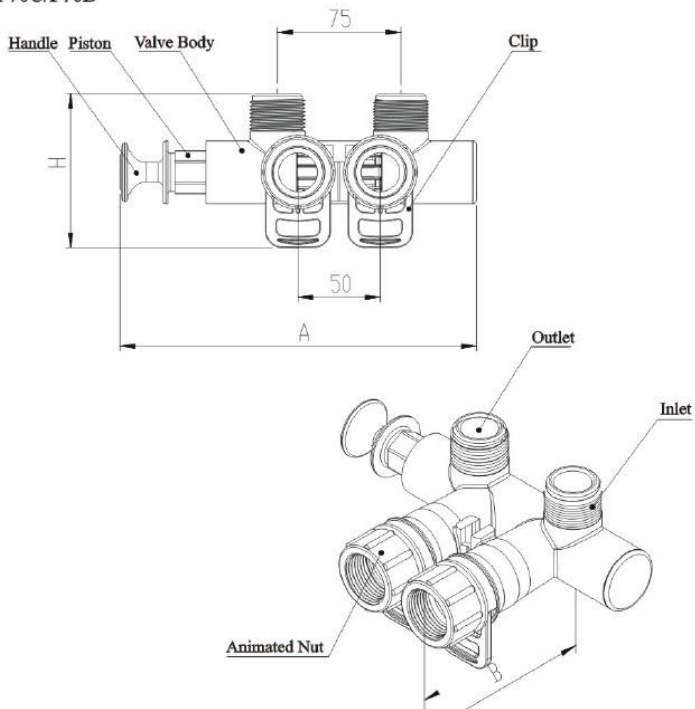
F70A



F70B



F70C/F70D



B. Technical Parameters

Nominal pressure: 0.15~0.6Mpa; Suitable temperature: 5℃~50℃

Model	Inlet/Outlet	A (mm) max	B (mm) max	H (mm) max	Flow Rate m ³ /h @0.3MPa
F70A/41104	1”M	165	165	118	4.0
F70B/41102	3/4”M	116/111	140	80	2.0
F70C/41204	1”M	218	126	95	4.0
F70D/41202	3/4”M	220	120	90	2.0

Note: M—Male thread

1.4. Installation

Perform installation according to relevant pipeline regulations and the specifications of Water Inlet, Water Outlet.

Installation steps (Such as F70A with valve F63, two installation methods)

- ① Shown in Figure 1-1, get out the clips and female animated nuts from bypass.
- ② Put the washers into the female animated nuts, and tighten with inlet and outlet of F63 control valve.
- ③ Bypass valve insert to two female animated nuts in parallel, put the clips back to bypass valve body.
- ④ Connect the bypass with water inlet and outlet.

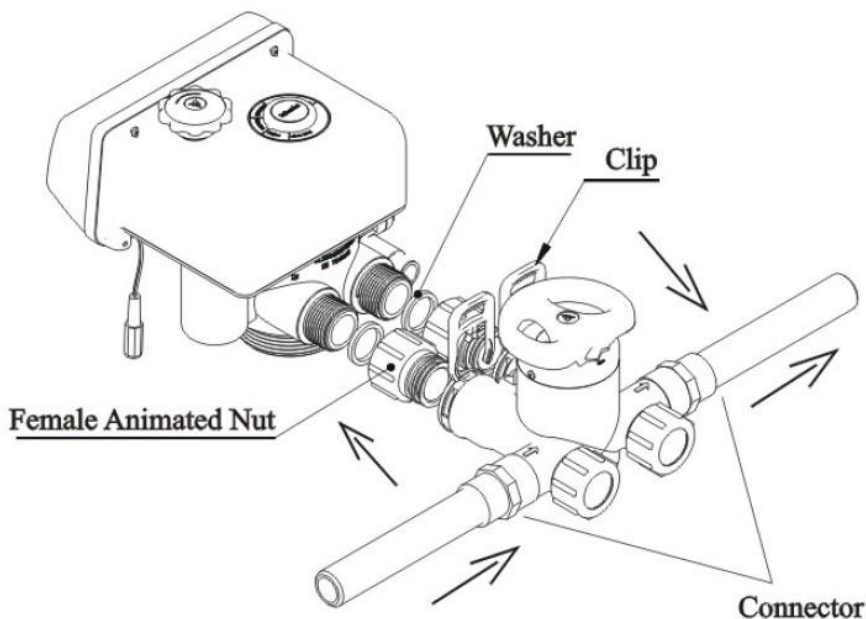
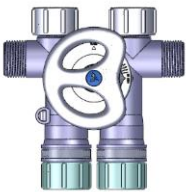

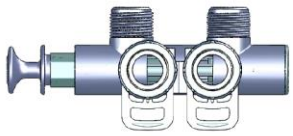
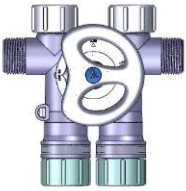
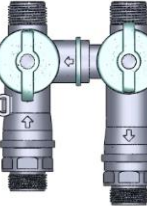



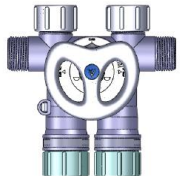
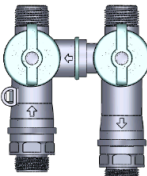


Figure 1-1

2. Usage

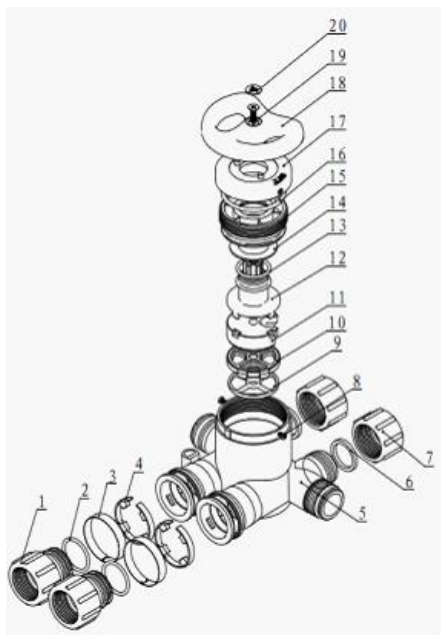
2.1. Usage

When the bypass valve handle is at the following position, it could achieve the required functions.

Function	F70A	F70B	F70C/F70D
Service			
Bypass			
Part bypass			/
Close			/

2.2.Components and part numbers

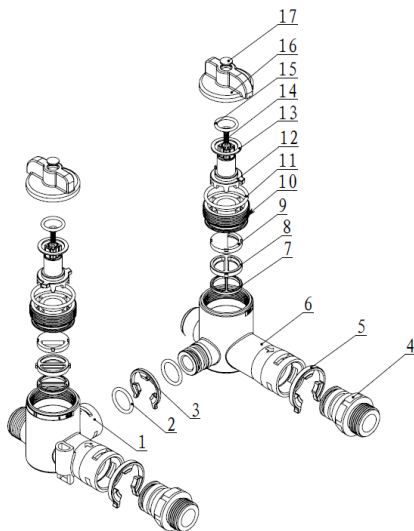
F70A parts



F70A/41104 Components

Item No.	Description	Part No.	Quantity	Item No.	Description	Part No.	Quantity
1	Animated nut	8945001	2	11	Moving Disk	8459017	1
2	O-ring	8378081	2	12	Shaft	8258009	1
3	Ferrule	8270002	2	13	O-ring	8378078	2
4	Clip	8270001	2	14	Anti-friction Washer	8216010	1
5	Valve body	8022041	1	15	Pressure Nut	8092007	1
6	Washers	8371001	2	16	O-ring	8378107	1
7	Blind nut	8945002	2	17	Decorative cover	8444016	1
8	Screw, Cross	8909008	2	18	Handle	8253011	1
9	Seal Ring	8370036	1	19	Screw, Cross	8909015	1
10	Fixed Disk	8469016	1	20	Label	8860001	1

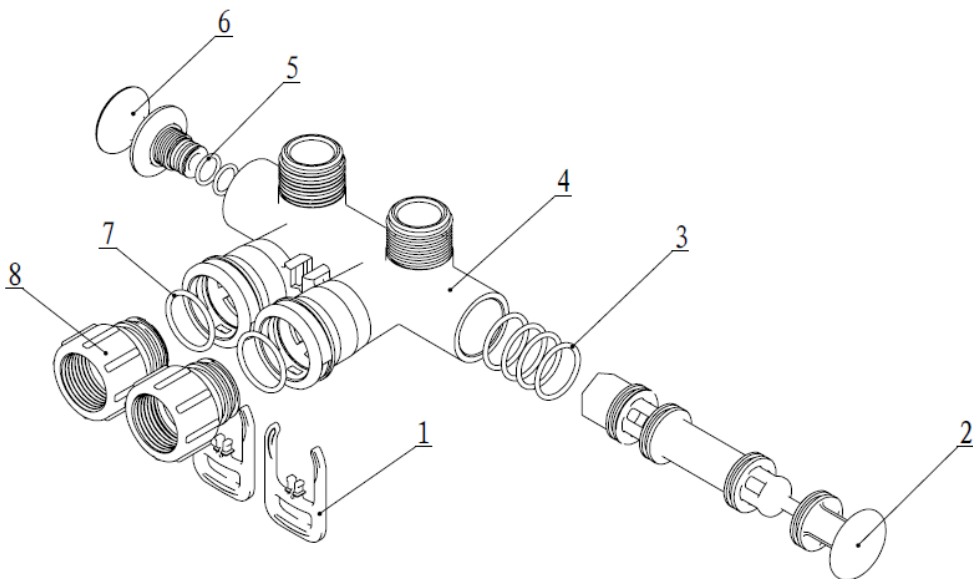
F70B parts



F70B Components

Item No.	Description	Part No.	Quantity	Item No.	Description	Part No.	Quantity
1	Valve body	8022043	1	10	Fitting Nut	8092008	2
2	O-ring	8378073	1	11	O-ring	8378084	2
3	Clip	8270003	1	12	Shaft	8258010	2
4	Connector	8458014	2	13	Anti-friction Washer	8216009	2
5	Clip	8270005	2	14	Screw, Cross	8909014	2
6	Valve body	8022042	1	15	O-ring	8378048	2
7	Seal Ring	8370037	2	16	Handle	8253012	2
8	Fixed Disk	8469017	2	17	Decorative Button	8323007	2
9	Moving Disk	8459018	2				

F70C,F70D Parts



F70C, F70D Components


Item No.	Description	Part Number		Quantity
		41204/F70C	41202/F70D	
1	Clip	8270004	8270008	2
2	Piston	8450001	8450001	1
3	O-ring	8378078	8378078	4
4	Valve body	8022044	8022145	1
5	O-ring	8378037	8378037	2
6	Handle	8253013	8253013	1
7	O-ring	8378081	/	2
8	Animated nut	8945001	/	2

3. Warranty Card

Dear client:

This warranty card is the guarantee proof of RUNXIN brand product. It is kept by client self. You could get the after-sales services from the supplier which is appointed by RUNXIN manufacturer. Please keep it properly. It couldn't be retrieved if lost. It couldn't be repaired free of charge under the below conditions:

1. Guarantee period expired.(One year) ;
2. Damage resulting from using, maintenance, and keeping that are not in accordance with the instruction.
3. Damage resulting from repairing not by the appointed maintenance personnel.
4. Content in guarantee proof is unconfirmed with the label on the real good or be altered.
5. Damage resulting from force majeure.

Product Name	 Multi-functional Flow Control Valve for Water Treatment Systems			
Model			Code of Valve Body	
Purchase Company Name			Tel/Cel.	
Problem				
Solution				
Date of Repairing		Date of Accomplishment		Maintenance Man Signature

When product need warranty service, please fill in the below content and sent this card together with the product to the appointed suppliers or

Runxin company.

End-user Company Name		Tel/Cel.	
Purchase Company Name		Tel/Cel.	
Model	Code of Valve Body		
Problem Description			

WENZHOU RUNXIN MANUFACTURING MACHINE CO., LTD.

ADD: Jinger Road, Shatou Group, Linjiang, Lucheng District,
Wenzhou, Zhejiang, China

TEL: 0577-88630038 88576511 FAX: 0577-88633258

<http://www.run-xin.com> Email:sales@run-xin.com